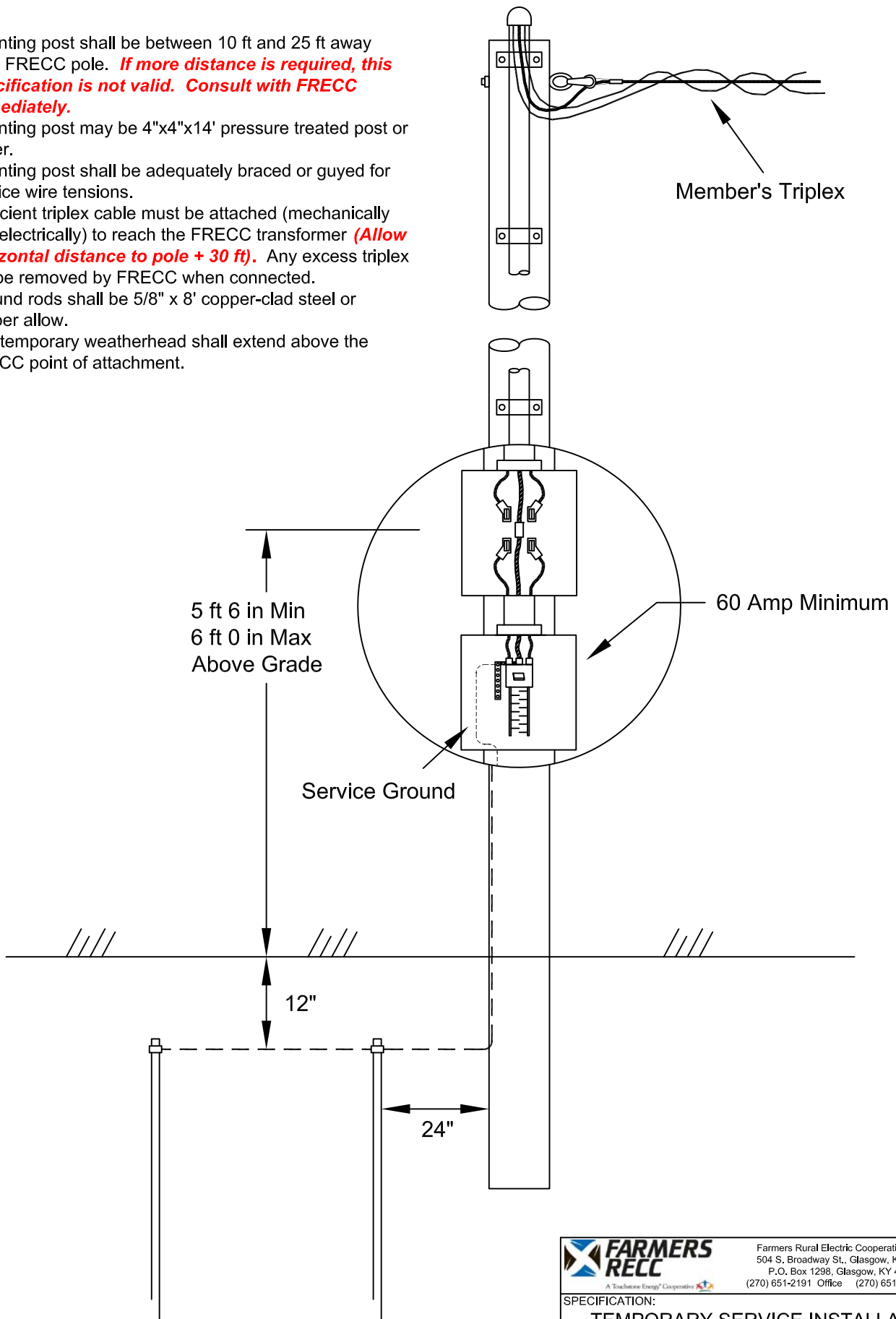


1. Mounting post shall be between 10 ft and 25 ft away from FRECC pole. **If more distance is required, this specification is not valid. Consult with FRECC immediately.**
2. Mounting post may be 4"x4"x14' pressure treated post or larger.
3. Mounting post shall be adequately braced or guyed for service wire tensions.
4. Sufficient triplex cable must be attached (mechanically and electrically) to reach the FRECC transformer (**Allow horizontal distance to pole + 30 ft**). Any excess triplex will be removed by FRECC when connected.
5. Ground rods shall be 5/8" x 8' copper-clad steel or copper allow.
6. The temporary weatherhead shall extend above the FRECC point of attachment.



Farmers Rural Electric Cooperative Corp.  
 504 S. Broadway St., Glasgow, KY 42141  
 P.O. Box 1298, Glasgow, KY 42142  
 (270) 651-2191 Office (270) 651-7332 Fax

SPECIFICATION:	
TEMPORARY SERVICE INSTALLATION	
DRAWN BY:	DATE:
Chuck Bishop	1/1/2014
APPROVED BY:	DATE:
Chuck Bishop	1/1/2014